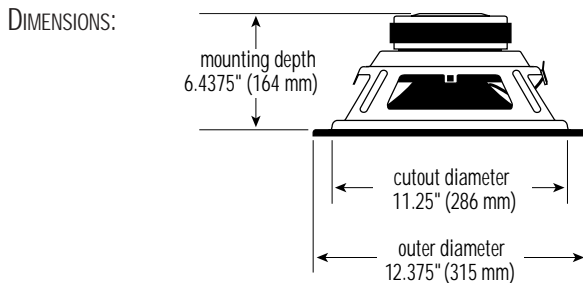


## SPECIFICATIONS

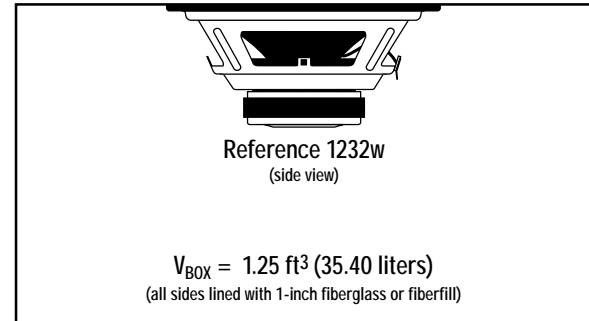
DIAMETER:	12" (304.8 mm)
SENSITIVITY (2.83 V @ 1 M):	93 dB
POWER HANDLING:	300 W <sub>RMS</sub> 1200 W <sub>PEAK</sub>
FREQUENCY RESPONSE:	23 ~ 400 Hz
NOMINAL IMPEDANCE:	4 OHMS
VOICE-COIL DIAMETER:	2.0" (50.0 mm)



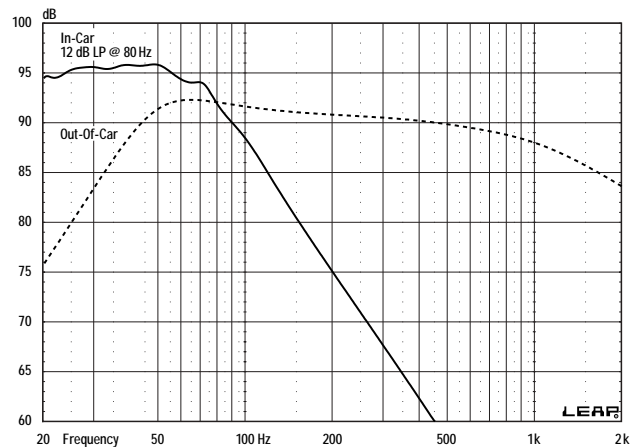
## THIELE-SMALL PARAMETERS

VOICE COIL DC RESISTANCE:	$R_{EVC}$ (OHMS) . . . . .	1.81
VOICE COIL INDUCTANCE @ 1 kHz:	$L_{EVC}$ (MH) . . . . .	1.04
DRIVER RADIATING AREA:	$S_D$ (IN <sup>2</sup> ) . . . . .	82.48
	$S_D$ (M <sup>2</sup> ) . . . . .	532.00
MOTOR FORCE FACTOR:	$BL$ (TM) . . . . .	10.20
COMPLIANCE VOLUME:	$V_{AS}$ (FT <sup>3</sup> ) . . . . .	2.84
	$V_{AS}$ (LITERS) . . . . .	80.43
SUSPENSION COMPLIANCE:	$C_{MS}$ (μM/N) . . . . .	200.12
MOVING MASS, AIR LOAD:	$M_{MS}$ (GRAMS) . . . . .	163.60
MOVING MASS, DIAPHRAGM:	$M_{MD}$ (GRAMS) . . . . .	156.60
FREE-AIR RESONANCE:	$F_S$ (Hz) . . . . .	27.80
MECHANICAL Q:	$Q_{MS}$ . . . . .	6.23
ELECTRICAL Q:	$Q_{ES}$ . . . . .	0.497
TOTAL Q:	$Q_{TS}$ . . . . .	0.46
MAGNETIC-GAP HEIGHT:	$H_{AG}$ (IN) . . . . .	32.50
	$H_{AG}$ (MM) . . . . .	8.00
VOICE-COIL HEIGHT:	$H_{VC}$ (IN) . . . . .	1.39
	$H_{VC}$ (MM) . . . . .	35.50
MAXIMUM EXCURSION:	$X_{MAX}$ (IN) . . . . .	0.54
	$X_{MAX}$ (MM) . . . . .	13.75

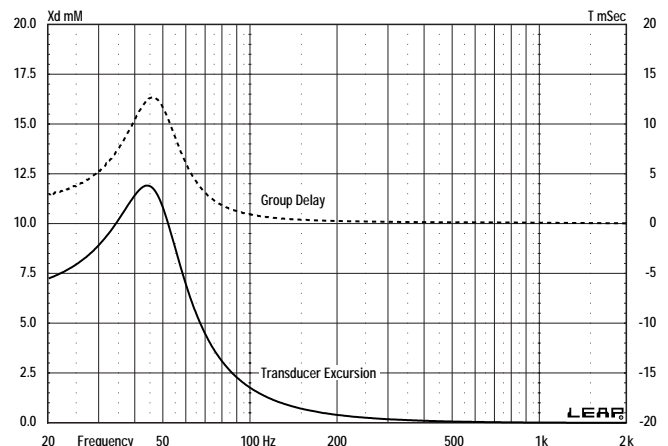
## SEALED BOX VOLUME (INCLUDES DRIVER DISPLACEMENT)



## SEALED FREQUENCY RESPONSE @ 2.83 V



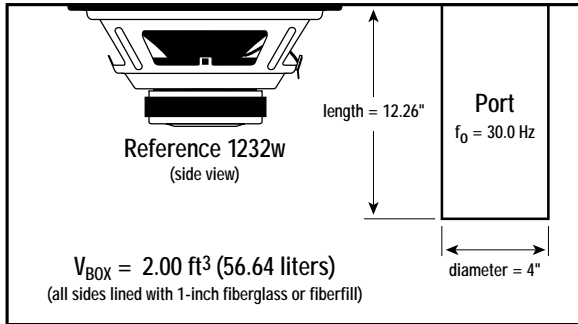
## SEALED EXCURSION/GROUP DELAY @ 300 W



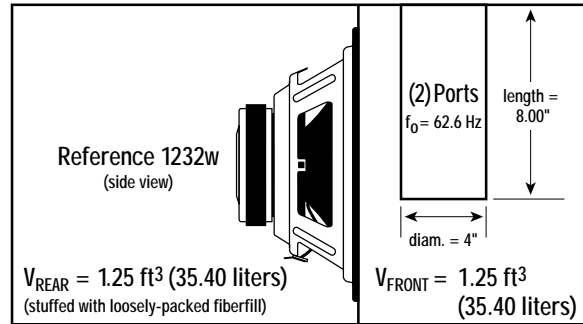
# Infinity *Reference 1232w 12" Woofer – Technical Data*

**CAR AUDIO**

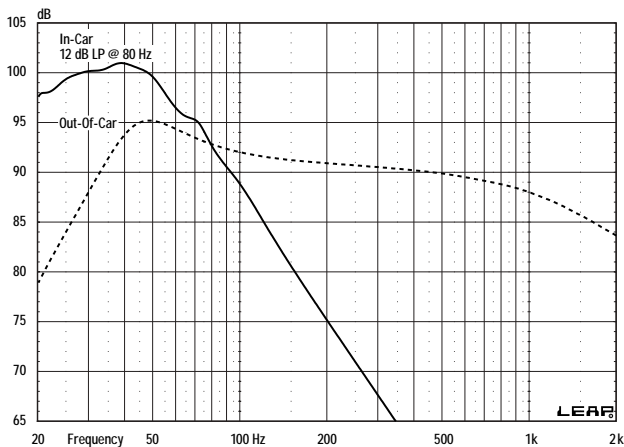
## VENTED BOX VOLUME (INCLUDES DRIVER/PORT DISPLACEMENTS)



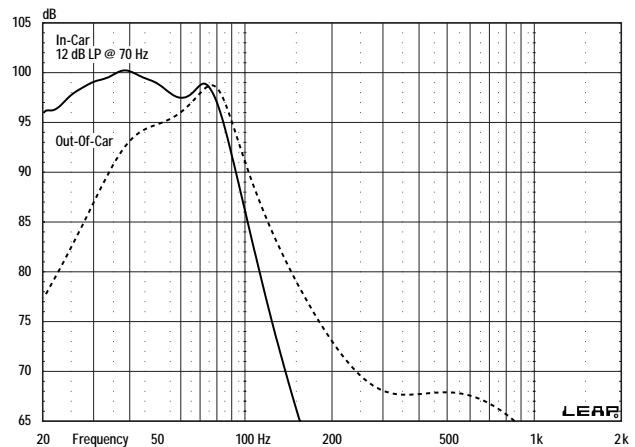
## SEALED BANDPASS BOX VOLUME (INCLUDES DRIVER/PORT DISPLACEMENTS)



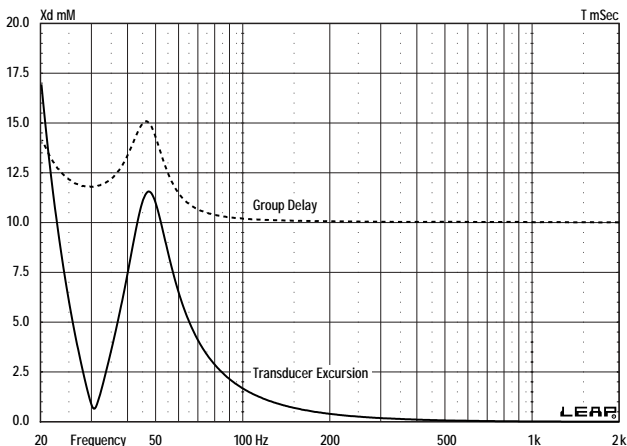
## VENTED FREQUENCY RESPONSE @ 2.83 V



## SEALED BANDPASS FREQUENCY RESPONSE @ 2.83 V



## VENTED EXCURSION/GROUP DELAY @ 350 W



## SEALED BANDPASS EXCURSION/GROUP DELAY @ 300 W

